



A WATTS Brand

# LVRD1 Verge® Wash Basin – LVR-Series

## Key Features

- ADA and TAS compliant
- Serves one user at a time
- Elongated basin is constructed of Evero® natural quartz surface
- Compatible with Verge™ faucets
- Available in a variety of colors

## Specifications

Accommodates one user. The units handle washroom traffic quickly and economically, while providing each user with personal space.



## Product Compliance

### Listed by IAPMO R&T to

- Uniform Plumbing Code (UPC)
- National Plumbing Code of Canada
- International Plumbing Code (IPC)
- IGC 156 and the requirements of CSA B45.5/IAPMO Z124 and ASME A112.18.1/CSA B125.1



### Complies with

- ADA
- ICC/ANSI 117.1
- TAS
- NSF/ANSI 372



## Finishes

Click on any color swatch to view as a larger image.

- Polished Chrome
- Brushed Black Stainless\*
- Brushed Stainless\*
- Brushed Bronze\*
- Brushed Brass\*
- Brushed Nickel\*

\*PVD Finishes, see PVD Finishes section.

### Listed by UL Environment to

- GreenGuard Gold



## Sustainability

- Evero Classic participates in the mindful MATERIALS library



## \* PVD Finishes

Physical Vapor Deposition is an intricate, environmentally friendly finishing process that molecularly bonds the finish to the faucet, creating a very hard, durable surface that will not corrode, discolor, or tarnish.

## Compatible Bradley Products

[Verge Faucets](#)

Serves the American Disabilities Act and ICC/ANSI 117.1 guidelines, citations 306, 308, 309.4, 606.4, 606.5 when installed according to these requirements. Consult local codes and standards.

This plumbing fixture is designed for hand washing only. It is not intended to dispense water for human consumption through drinking or for preparation of food or beverages.

For more information on Evero Natural Quartz Surface, faucets, valves, transformers, and the soap dispensers, please visit [bradleycorp.com](http://bradleycorp.com).

Protected by one or more of the following U.S. Patents: D625,792 S; D633,992 S; and D642,664 S.



# LVRD1

## Verge® Wash Basin – LVR-Series

### Construction

#### Basin

*Evero Classic – Geo Series* is a polished natural quartz surface made from a blend of bio-based resin, natural quartz, granite, and other exotic minerals.

*Evero Classic – Pearl Series* is a polished natural quartz surface made of bio-based resin, sea shells, and natural quartz.



Variations in the natural stone color, pattern, size, shape, and shade are inherent. Due to these unique characteristics, please expect subtle shade variations when units are installed adjacent to each other.

#### Access Panel

Panel is composed of decorative 300 series stainless steel.

#### Support Frame

Basin assembly and access panel are secured to a heavy gauge stainless steel support frame mounted to wall.

#### Vandal Resistance

Water supplies, valves, waste assembly, and other optional items are concealed within the panel/frame.

#### Faucet Options

Choose from our 0.35 gpm (1.30 Lpm) or 0.50 gpm (1.90 Lpm) Verge Faucet – Crestt, Metro, Linea, and Zen Series. 4" Centerset and Centershank faucet hole drillings are available for faucets by others. Optional 4" centerset trim plates are available for additional vandal resistance.

#### Soap Dispensers

Due to space limitations within the access panel, the Verge deck-mounted soap dispensers are not available with LVRD1. Soap drillings available for soap by others.

### Accessibility

Accessibility Code	Rim Height (maximum)	Notes
ADA	33½" (851)	At least one basin must meet dimensional requirements and have proper reach, knee, and toe clearance.
ADA/JUV Juvenile ADA	30½" (775)	At least one basin must meet dimensional requirements and have proper reach, knee, and toe clearance.



A WATTS Brand

# LVRD1 Verge® Wash Basin – LVR-Series

**Models (Must select one)**

Model	Description
<input type="radio"/> LVRD1	Verge Wash Basin – LVRD-Series, One-Station

**Standard Selections (Must select one from each category)**

**Material Type (select one)**

EC Evero Classic – Polished Finish

**Color of Evero® Bowl (select one)**

*NOTE: Click on any swatch to view as a larger image.*

*Evero Classic - Geo Series*

<input type="radio"/> ANDORRA	Andorra	<input type="radio"/> MOJAVE	Mojave
<input type="radio"/> ANTARCTICA	Antarctica	<input type="radio"/> MYKONOS	Mykonos
<input type="radio"/> ARUBA	Aruba	<input type="radio"/> PATAGONIA	Patagonia
<input type="radio"/> BLACK-SEA	Black Sea	<input type="radio"/> RAINIER	Rainier
<input type="radio"/> DENALI	Denali	<input type="radio"/> SIENA	Sienna
<input type="radio"/> GLACIER	Glacier Bay	<input type="radio"/> SIERRA	Sierra Madre
<input type="radio"/> KALAHARI	Kalahari	<input type="radio"/> YUKON	Yukon

*Evero Classic - Pearl Series (available at an additional charge)*

<input type="radio"/> AKOYA	Akoya	<input type="radio"/> BLACK-MOON	Black Moon
-----------------------------	-------	----------------------------------	------------

**Faucet Type (select one)**

<input type="radio"/> S53-3100	Verge Faucet – Crestt Series
<input type="radio"/> S53-3300	Verge Faucet – Metro Series
<input type="radio"/> S53-3500	Verge Faucet – Linea Series
<input type="radio"/> S53-3700	Verge Faucet – Zen Series
<input type="radio"/> S53-3100-P	Verge Faucet – Crestt Series, Includes Trim Plate <sup>4</sup>
<input type="radio"/> S53-3300-P	Verge Faucet – Metro Series, Includes Trim Plate <sup>4</sup>
<input type="radio"/> S53-3500-P	Verge Faucet – Linea Series, Includes Trim Plate <sup>4</sup>
<input type="radio"/> S53-3700-P	Verge Faucet – Zen Series, Includes Trim Plate <sup>4</sup>
<input type="radio"/> 4" Set	4" Centerset (1 1/4" Drilling Only)
<input type="radio"/> SHANK	Centershank (1 1/4" Drilling Only)
<input type="radio"/> NFD	No Faucet Drilling

**Faucet Activation Type (select one)**

R Touch-Free Activation <sup>1</sup>

NONE No Activation <sup>2</sup>

**Water Supply Type (select one)**

T Thermostatic Mixing Assembly (supply hoses and shut-offs included)

L Single Tempered Line Assembly (supply hoses and shut-offs included)

**Flow Control Type<sup>1</sup> (select one)**

3 0.35 gpm (1.30 Lpm) Silicone Tip, Multiple Individual Laminar Flow Streams

5 0.50 gpm (1.90 Lpm) Silicone Tip, Multiple Individual Laminar Flow Streams

**Faucet Finish Type<sup>1</sup> (select one)**

<input type="radio"/> PC		Polished Chrome
<input type="radio"/> BB		Brushed Black Stainless
<input type="radio"/> BS		Brushed Stainless
<input type="radio"/> BZ		Brushed Bronze
<input type="radio"/> BR		Brushed Brass
<input type="radio"/> BN		Brushed Nickel

*NOTE: Grid strainer will always have a stainless steel finish.*

**Faucet Power Supply (select one)**

AC AC Power <sup>1 3</sup>

BA Battery <sup>1</sup> – 4x AA alkaline batteries included per faucet

NONE No Power Supply <sup>2</sup>

**Soap Dispenser Type (select one)**

SDO 1-3/8" Soap Drilling Only

NSD No Soap Dispenser/No Drilling

**Access Panel Type (select one)**

STAIN Stainless Steel

**Waste Assembly Type (select one)**

S-POLY Single Polypropylene P-Trap

S-CHROME Single Chrome-Plated P-Trap

<sup>1</sup> Available with faucet selection only.

<sup>2</sup> Available with faucet drilling only.

<sup>3</sup> AC power supply will include either individual AC plug-in adapter or 4-way AC splitter assembly depending on configuration.

<sup>4</sup> Trim plate finish will match Faucet Finish for PC, BB & BS. All other faucet finishes will receive a PC trim plate.

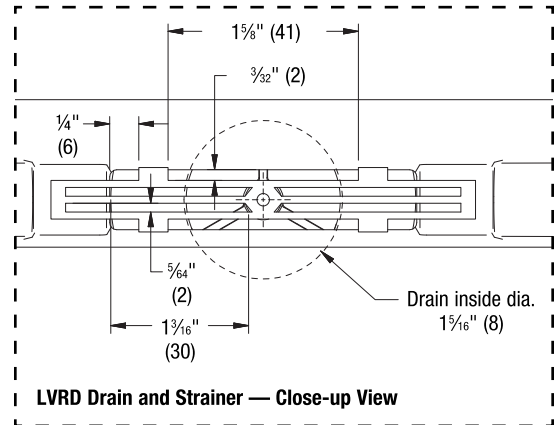
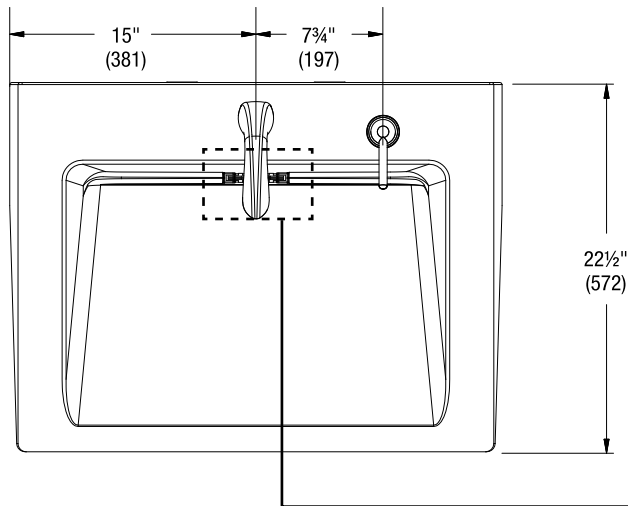


# LVRD1 Verge® Wash Basin – LVR-Series

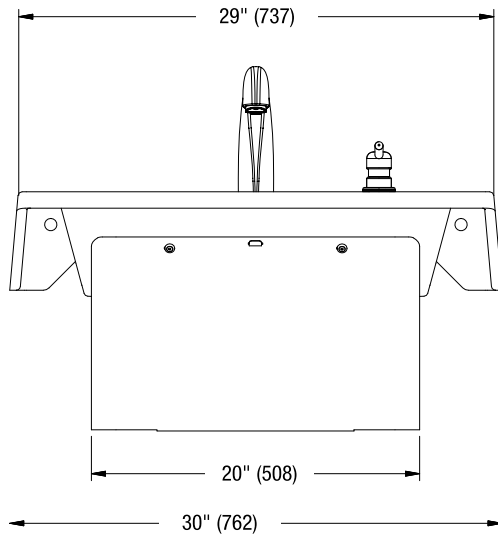
## Dimensions for LVRD1 Verge Wash Basin

(mm)

Top View

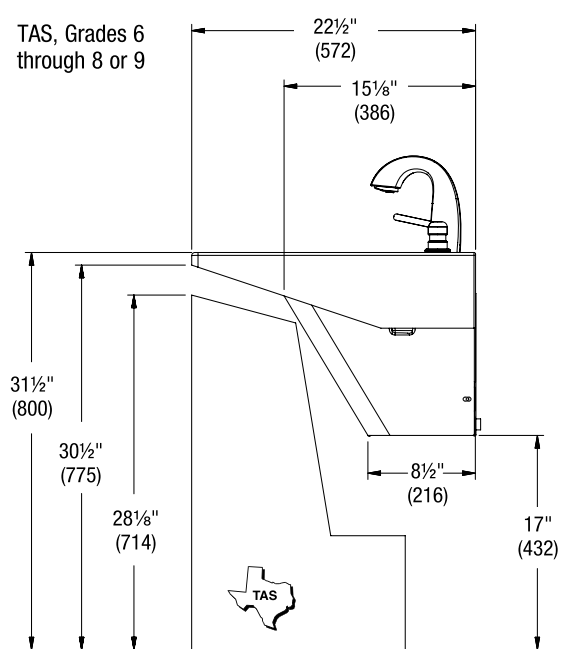
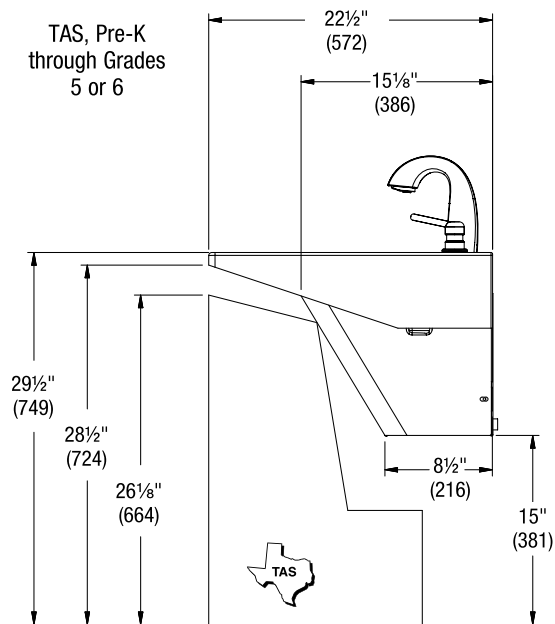
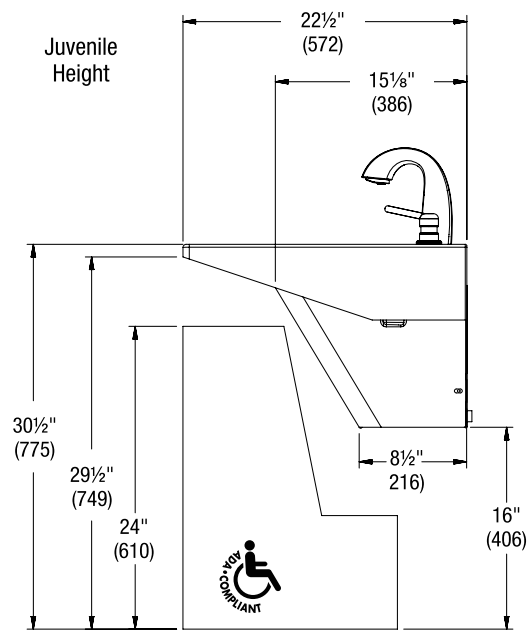
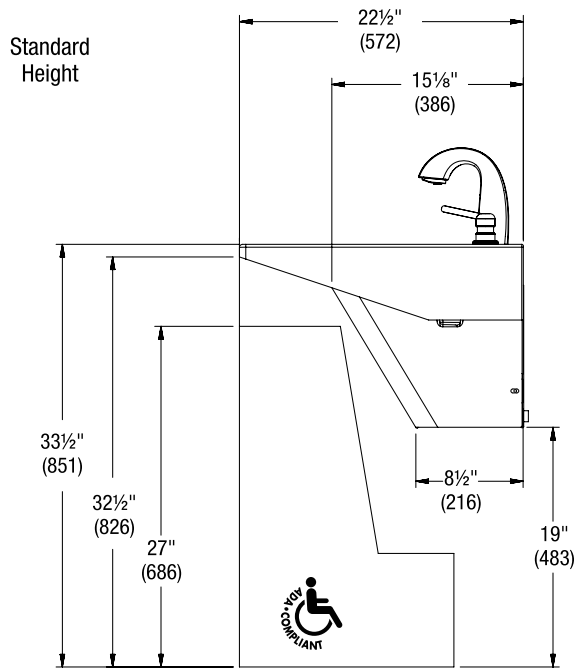


Front View



### Dimensions for LVRD1 Verge Wash Basin

(mm)





A WATTS Brand

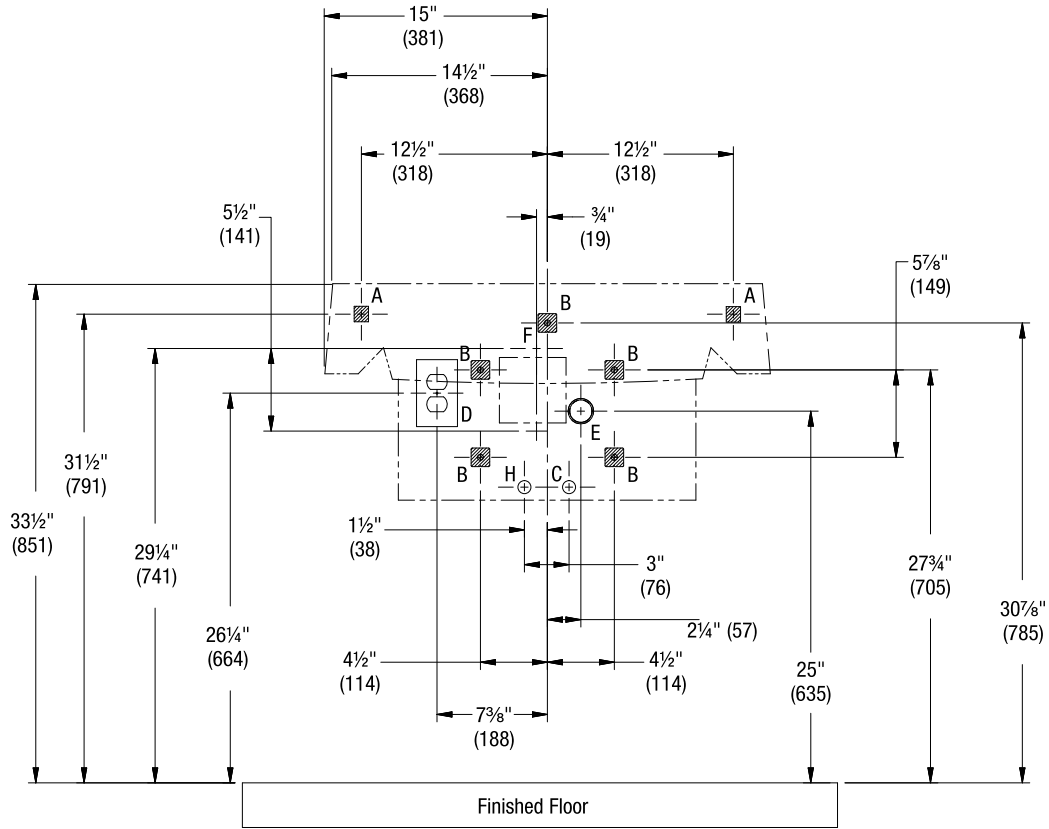
# LVRD1 Verge® Wash Basin – LVR-Series

## Rough-Ins for LVRD1 Verge Wash Basin

(mm)

Standard rough-in shown.

Reinforce wall at points A and B.



CODE	DESCRIPTION	QTY.
A	3/8" Lav Deck Bowl Anchors with a Minimum Pull-Out Force of 1,000 lb (reinforce walls at anchor points)	2
B	3/8" Lav Deck Frame Anchors with a Minimum Pull-Out Force of 1,000 lb (reinforce walls at anchor points)	5
H, C	1/2" Hot/Cold Supplies, Stub-Out 2" From Wall	1
D	110V GFI Protected Electrical Outlet (AC faucet and soap only)	1
E	1 1/2" NPT Drain, Stub-Out 2" from Wall	1
F	#10 Anchors for Faucet Control Box Installation	2

RIM HEIGHT	VERTICAL HEIGHT ADJUSTMENTS FOR CODES A-E and H	FIXTURE STYLE
33 1/2"	None	Standard Height
31 1/2"	Subtract 2"	TAS, Grades 6 through 8 or 9
29 1/2"	Subtract 4"	TAS, Pre-K through Grades 5 or 6
30 1/2"	Subtract 3"	Juvenile Height